

S¹⁰ⁱ
1-10x24i

ENDURA

FALCON
OPTICAL SYSTEMS

Features

- Wide angle optical system with wide and flat field of view, even at low magnification
- Expansive 10x zoom erector configuration with versatile 1-10 magnification range
- Robust 30mm tube design of single piece construction
- Fully multi coated lenses (Low Dispersion)
- P22i Illuminated Red Dot Reticle with MRAD based stadia and 0.2MRAD holds
- Daytime Bright Red Dot
- Glass Etched reticle (fine) not fiber construction
- 12 illumination settings with an "off" between each step
- 30.0MRAD elevation travel range with 0.1MRAD adjustment per click
- Push/Pull locking turret caps
- Includes a throw lever for magnification ring
- Includes sunshade and flip up covers
- Nitrogen Purged, waterproof, fogproof, shockproof
- Each unit is hand tested in the United Kingdom before sale

Specification

MAGNIFICATION RANGE	1-10x
FIELD OF VIEW @ 100M	38.4m-3.84m (125'11"-12'7")
EYE RELIEF	89mm - 91mm
MAX ELEVATION ADJUSTMENT RANGE	30.0MRAD
MAX WINDAGE ADJUSTMENT RANGE	30.0MRAD
ADJUSTMENT VALUE PER CLICK	0.1MRAD
ADJUSTMENT PER TURN	10.0MRAD
FIXED PARALLAX DISTANCE	25M (S1001) or 100M (S1002)
RETICLE CHOICES	P22i (MRAD)
RETICLE INSTALL	Second Focal
TOTAL LENGTH	275mm
WEIGHT	525g
TUBE DIAMETER	30mm
CONSTRUCTION	1 Piece Tube/Saddle
OBJECTIVE LENS DIAMETER	24mm
OUTER OBJECTIVE DIAMETER	30mm
OUTER OCULAR DIAMETER	44.5mm
ADDITIONAL SUNSHADES	1 Supplied
FLIP UP LENS COVERS	Yes, Supplied
CONFIGURATIONS AND ORDER CODES	S1001 (25m) or S1002 (100m)



What's Included?

- Flip up lens covers
- Sunshade
- Lens cleaning cloth
- Throw-Lever for magnification ring

Basics

1 - Objective end. Contains the objective lens assembly and objective lens hood. The smaller flip up lens cover will push-fit here.

2 - Ocular end. This is threaded for adjustment, sometimes referred to diopter correction or 'European style fast focus eyepiece'. See 'Guidance For Use' for instructions on how to adjust this to your eye. The larger flip up lens cover will push-fit here.

3 - Eyepiece section. Houses the ocular lens assembly

4 - Magnification ring. This rotates to adjust the magnification setting. The throw lever can be installed here.

5 - Illuminated reticle switch. Settings 1-12 with an off setting between each step. 1 = Minimum, 12 = Maximum.

6 - Elevation and Windage turrets. These are used to adjust the position of the reticle and 'zero in'. Compensate for windage and adjust to engage targets at different ranges. Push/pull to lock and unlock

7 - Saddle section. This houses the elevation, windage and IR switch turrets. To the front and rear of the saddle section is the 30mm main tube.



Guidance For Use

Fast Focus Ocular Lens / Diopter Adjustment

- It's important that the reticle appears sharp and is correctly set to your eye.
- Use the fast focus eyepiece to adjust the sharpness of the reticle to suit your eyesight, by pointing the scope at a featureless bright area such as a wall or open sky. Do not look at the sun!
- Turn the fast focus eyepiece clockwise and anticlockwise until the reticle appears as sharp and defined as possible.
- If the above is not carried out correctly then parallax error may become a problem. Do this first, before the scope is even mounted.
- Once the eyepiece is set then don't adjust it.

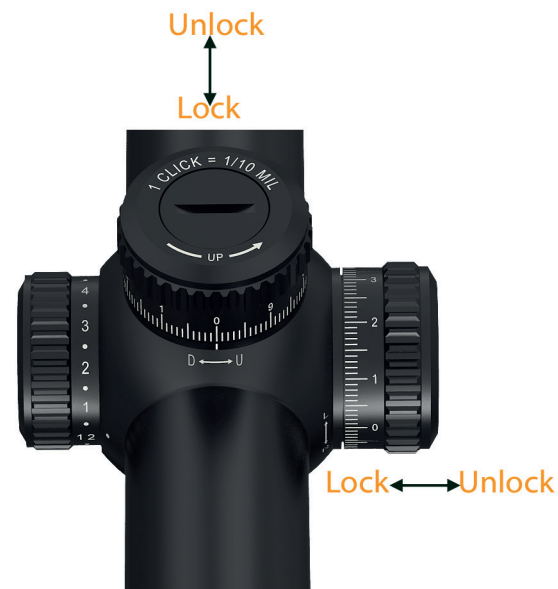
Mounting the riflescope

- CAUTION : Make sure the firearm is not loaded when mounting the riflescope.
- ENDURA S10i 1-10x24i is built around a 30mm tube/saddle section of one-piece construction.
- Always use good quality mount rings. Poor quality mount rings may damage your scope and will almost certainly hinder performance.
- Be careful not to crush the scope tube by over tightening the mount rings. Refer to literature supplied with the mount rings to ensure the correct torque settings are used on both the top screws and base screws. Each set of mount rings and supplied screws should be built to a specific tolerance that will determine the correct torque setting. Typically this will be quoted in **inch/lbs**.
- Equally, under-torqued mount rings can also be an issue, especially in combination with heavy recoil. If the mount ring manufacturer does not identify any torque settings for ring and rail screws then consider a different brand that does.



Windage / Elevation Turret Adjustment

- ENDURA S10i have an adjustment value of 0.1MRAD per click
- The scope features windage and elevation turret caps with a push/pull locking mechanism. To adjust then pull gently to lift the turret cap to unlock. It should now rotate freely and give an audible click. To lock then simply push the turret cap back down and it should snap back into position. The cap is now locked.
- Its important to remember that the MRAD based adjustment system matches the MRAD nature of the reticle, no inch/cm conversion is required. 1.0MRAD as displayed by the reticle (When set at 10x magnification) is equal to 10 clicks of adjustment, regardless of target distance.
- ENDURA S10i offers 100 clicks worth of adjustment per rotation, this equates to 10.0MRAD.
- Each scope will be preset to mechanical centre (midway point of adjustment range) out of the box. Try and keep both the windage and elevation turrets as close to mechanical centre as possible when zeroing. Optical standard and adjustment consistency may suffer at the extremes of any scopes adjustment range.
- You will feel a positive resistance 'stop' once the scope reaches the extreme of its elevation or windage adjustment. Don't be tempted to force the turret any further as this will damage the mechanism.
- ENDURA S10i features elevation and windage turret caps that are secured using a single top mounted holding screw. The turret caps can be repositioned as required, normally to display '0'. To do this then slacken off the coin slot screw. Then disengage the turret cap by easing it off the internal spline. A little force may be required to break the O-ring seal. Reposition the turret cap as desired, and then re-tighten the screw to secure.



Magnification Adjustment

- To adjust the magnification simply rotate the ring by hand to the desired setting. Add the throw lever for extra leverage if you wish. There is an elevated ridge on the magnification ring, that is threaded to accept the throw lever. Never tamper with the main holding screw for the magnification ring. This is situated roughly 180 degrees from where the throw lever is installed.
- The zeroed point of impact (POI) should remain unchanged across the entire magnification range, though this scope does have a second focal plane reticle. For MRAD accuracy from the reticle, then this needs to be set to 10x magnification. It is signified by a (10) on the magnification ring.

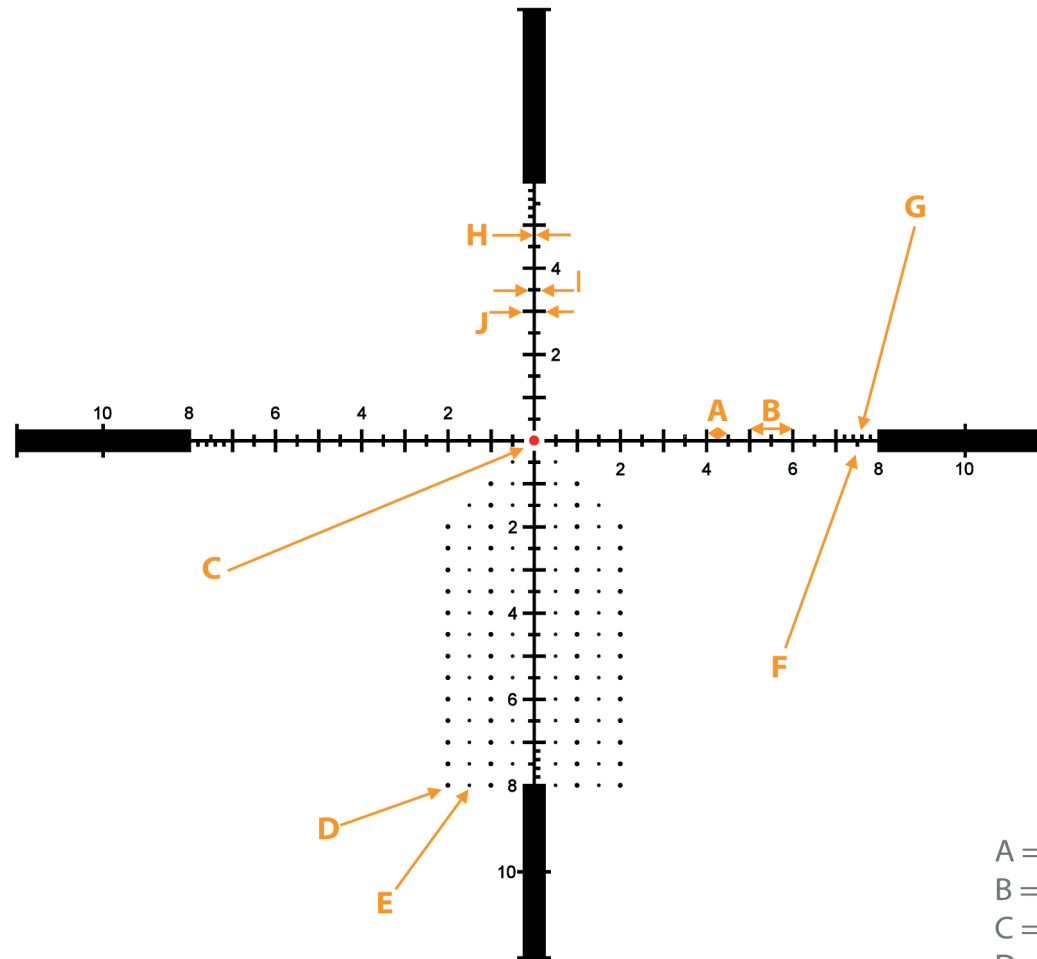
Fixed Parallax Adjustment

- The scope will be set from the factory with a fixed parallax of 100m or 25m (depending on the version you purchased). 100m is the standard version, whereas the 25m parallax option is configured for close range shooting with Air Rifles or possibly Rimfire.

Illuminated Reticle

- Endura S10i features a P22i Precision Dot Reticle. This illuminates red using dual LED emitters with 1-12 levels of intensity. It is powered by a CR2032 coin battery which is located inside the third turret on the scope saddle. To access the battery compartment then simply rotate the cover that has the coin slot design.
- Unscrew the battery compartment cap counter-clockwise and insert the CR2032 3V battery with the + side facing outwards and the – side facing the scope body. Carefully screw the battery cap back into place, finger tight, taking care not to cross-thread it.
- Endura S10i features 12 intensity settings. Simply turn the dial to the desired brightness level. Between each brightness level is an “OFF” setting indicated by a dot in between each number.
- Settings 10-12 are day-bright, intended for use in sunny conditions. We don't recommend these high settings for use during low light, dusk and dawn for example. The reticle could start to lose definition and you may also detect some unwanted stray light from the LED.

P22i Reticle - 10x MRAD Accuracy
MRAD Based
Floating Red Dot



- A = 0.5 MRAD
- B = 1.0 MRAD
- C = 0.22MRAD Diameter Floating Red Dot
- D = 0.09MRAD Diameter Holdover Dot
- E = 0.06MRAD Diameter Holdover Dot
- F = 0.5MRAD Indicator
- G = Area of 0.2MRAD Indicators
- H = Main Reticle Line Width @ 0.05MRAD
- I = 0.25MRAD Width
- J = 0.5MRAD Width

For reticle diagrams in greater detail please visit www.falconoptics.com/resources where higher resolution pdf versions can be downloaded

Care and Maintenance

- With the exception of repositioning the turret caps along with adding/removing throw lever then do not attempt to disassemble the scope.
- Do not tamper with the holding screw on the magnification ring, the coil spring cover underneath the Illumination switch turret, nor the nitrogen port screw on the base of the saddle.
- Do not attempt to 're-parallax' the scope by adjusting the position of the front lens assembly. In doing so you run the risk nitrogen loss and moisture ingress over time.
- You will feel a positive stop at the end of the travel ranges for the windage and elevation turrets, and focus eyepiece. Don't be tempted to apply more force once you reach the stop.
- When mounting the scope always be sure to check the torque settings for the mounts/rings that you plan to use.
- The external lens surfaces can be wiped clean with the lens cloth provided. Remove any noticeable particles of dirt or sand in advance using a lens blower or a very soft brush. Take care in doing this to ensure the outer lens coatings do not get scratched.
- Store the scope in a moisture free environment. Don't leave the scope in direct sunlight whereby the sun's rays can enter either the objective or ocular ends.
- Avoid storing the scope in areas that will reach very high temperatures for long periods of time.
- CAUTION : Never use the scope to look at the sun

Troubleshooting

Can't zero the scope, running out of windage and/or elevation adjustment?

- Rule out common alignment issues such as: barrel alignment and shift, barrel threaded at an angle, rail/receiver install, rail alignment, mount/rings install and alignment
- It might be that a tapered (inclined) rail is necessary in order to gain the desired elevation adjustment.

I'm seeing a dark shadow around the image edges, it seems to disappear at higher magnification but returns at lower magnification

- Windage and/or elevation turrets are dialled to far from mechanical centre. Return them closer to mechanical centre and the shadow will ease.
- If you're having to dial in that much windage/elevation in order to zero then we would recommend the use of a tapered rail.

My group size has opened up after shooting well in the past / Shift in point of impact

- Change to focus eyepiece setting?
- Does the scope appear to be shifting in the mount/rings? Have ring/base screws worked loose?
- Play/movement between the rings/rail/receiver?
- Recent change of ammunition?
- Silencer/moderator alignment?
- Inconsistent head position?
- Windage and/or elevation turrets are dialled to far from mechanical centre? Loss of tension on erector spring. Return closer to mechanical centre.

Optical standard suddenly seems noticeably poorer

- Recent changes to zero and elevation/windage setting? Optical standard may suffer at the extremes of any scopes adjustment range.
- Check for changes to focus eyepiece setting and that parallax is being correctly dialled out.
- Head alignment consistent?
- Shooting in low sun? Use the sunshade.
- Check for any obstructions on exterior lens surfaces such as dust, dirt and condensation. See care and maintenance section.

ENDURA Warranty & Service Commitment

If ENDURA S10i doesn't perform, then we will either repair it, or give you a brand new unit. No charge, no time limit.

Key Points:

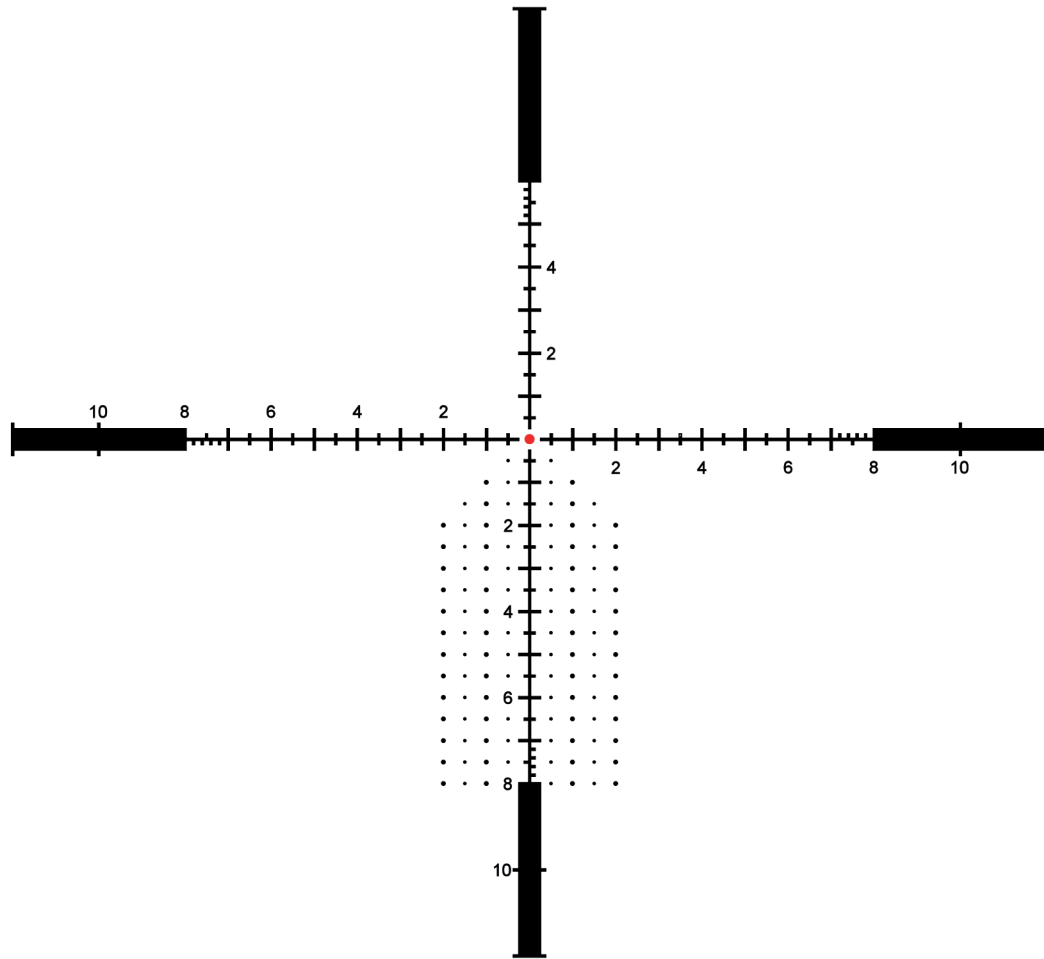
- To request service then contact us directly at service@enduraoptics.com
- If the scope performs outside of tolerance then we will repair or replace it. No charge. No time limit.
- Additional service commitment if your ENDURA S10i is damaged through normal use.
- Covers the original owner of the scope. Proof of purchase may be required.
- Additional service commitment for future owners of the scope.
- Excludes loss, theft, deliberate damage, abuse and misuse. Also excludes cosmetic damage that doesn't hinder the performance of the scope.

Export Notice

This Rifle Scope may be classified as a Strategic Military Item depending on your location.

Consult with your Export Control Authority before taking/sending the scope abroad to determine if an export license is required.





 **ENDURA**

 **FALCON**
OPTICAL SYSTEMS